

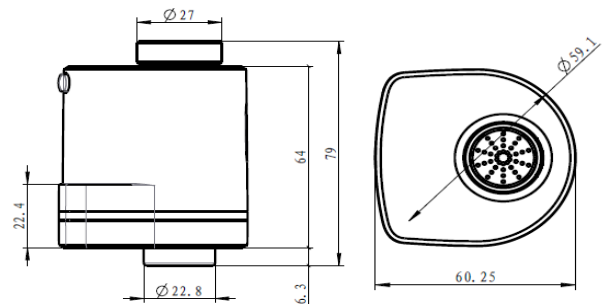
Ningbo KEGE ELECTRONIC CO., LTD.

35th Changyang Road, Hongtang Industrial C Area, Jiangbei, Ningbo, Zhejiang, China,315033

Contact: Mr Flytin Fang Phone:86-574-27987661, 86(0)15858471917

Email: sales@tap-sensor.com Website: www.tap-sensor.com

General Information	
Model	KEG-10-P201
Type	Faucet Sensor Spout
Surface Treatment	ABS
Valve	Pulse Solenoid Valve
Warranty	1 Year
Technical Parameters	
Working Power	DC3V
Average Static Power Consumption	< 20uA
Instant Dynamic Power Consumption	< 2.5w
Water Pressure	0.05-0.7MPA
Sensor Distance	10±2cm to 29x29cm standard white board (About 5cm to hands)
Sensor Range	5-16cm to 29x29cm standard white board
Detection Time	< 0.3s
Maximum Water Flow Time	180s
Adapters	1) Male M24*1 2) Male M22*1 3) Male M20*1 4) Female M22*1 5) Female M20*1 6) Female G1/2-14
Environmental Temperature	1~40°C
Medium Temperature	0~65°C
Package Information	
Inner Package	16.5 x 11.5 x 8 cm
Outer Package	48 x 33 x 36 cm
Quantity/Carton	36 units



Function and Features
1. Water flow on/off by approaching the sensor without touching.
2. Six adapters are included. Suitable for most of non-pull-out kitchen faucets or faucets with high neck.
3. Easy installation with clip-on connector design.
4. Powered by in-built lithium battery. It can last 5 years at least at frequency of 100 times per day.
5. No need to change or charge batteries.